

## Compact electric actuator for 90° operation.

### Features

- The figure 777/778 has an electric motor and manual output drive. Both are independent to drive the output shaft.
- Each endplate of the motor has roller bearings, and the motor is tiebolt mounted through the endplate to the switchplate.
- All units are provided with terminal strips inside the housing, allowing for ease of electrical field wiring.
- The unique handwheel/manual override design has no levers or latches to switch to the manual or automatic mode. Simply turn the handwheel to the desired valve position.
- All gears run in ball and needle bearings and are permanently lubricated at the factory.
- An external valve position indicator is provided to show valve position at all times.
- Plug-in modules to control actuator speed or position are available.
- Permanent split capacitor, reversible type electric motor driving epicyclic compound gears.
- Readily adaptable to 90° valves with quarter turn or multiturn operation.
- End of travel limit and indication switches, fully adjustable S.P.D.T. (4-off as standard). Up to 8 switches available per unit.
- Cam energised torque limit switches, fully adjustable, S.P.D.T.
- Thermal overload motor protection (set at 130°C).
- Aluminium anodised ESPC\* enclosure.
- Gasket and o-ring sealing.
- Single and three phase supply voltages are available as standard. Others on application.
- Intermittent/Extended/Electronic options available.
- Mechanical travel stops, adjustable to 15° in each direction of 90° operations.
- Conduit connections 2 x M25.
- Direct mounting to Keystone butterfly valves.
- Explosionproof enclosure available as an option.

\* Electro Static Polyester Coating.



### Technical data

Standard supply	
Voltages	: 110/230V 1ø, 400/440V 3ø or 24V DC
Torques	: up to 1695 Nm
Temperature	: -25°C to + 65°C (on/off models)

### General application

On/off or modulating control duties.  
Suitable for 1/4 turn actuation e.g. Ball,  
Rotary Plug or Butterfly Valves

# Electric actuator Figure 777

models 012-150

Cover removal clearance

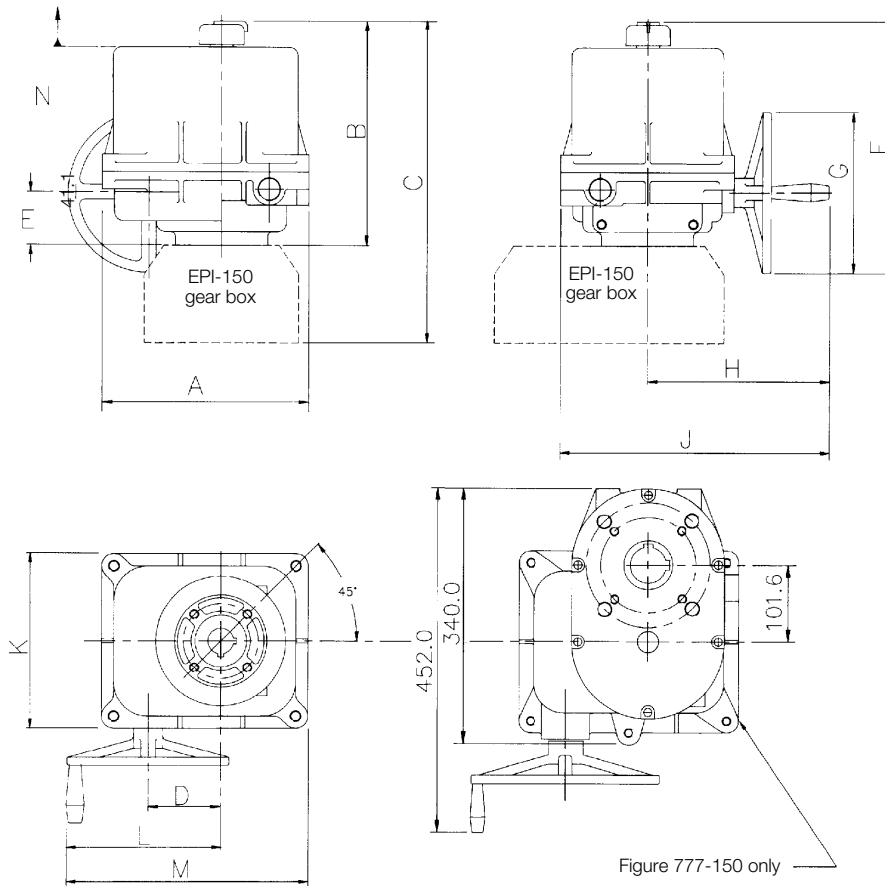


Figure 777-150 only

## Actuator dimensions

Type	A	B	C	D	E	F	G	H	J	K	L	M	N
012-018	227	241	-	80	59	277	179	201	297	192	181	277	146
050-070	292	319	-	109	97	356	252	248	385	273	242	362	171
150	292	311	443	109	229	348	252	248	385	273	242	362	171

Type	Depth of coupling	Shaft hole	Fixing holes on P.C.D.
012-018	31.75	ø28.6 x 6.35 KEY	4 x M10 on 82.55
050-070	50.8	ø28.6 x 6.35 KEY	4 x M10 on 82.55 / 4 x M12 on 127
150	70.0	{ ø47.7 x 12.7 KEY } { ø41.3 x 9.53 KEY }	4 x M12 on 127 / 4 x M20 on 165.1

## Optional extras

- Servo amplifier and speed control module.
- Speed control module.
- Current loop retransmission module.
- Anti condensation heater with thermostat.
- Feed back potentiometer(s).
- Explosionproof enclosure.