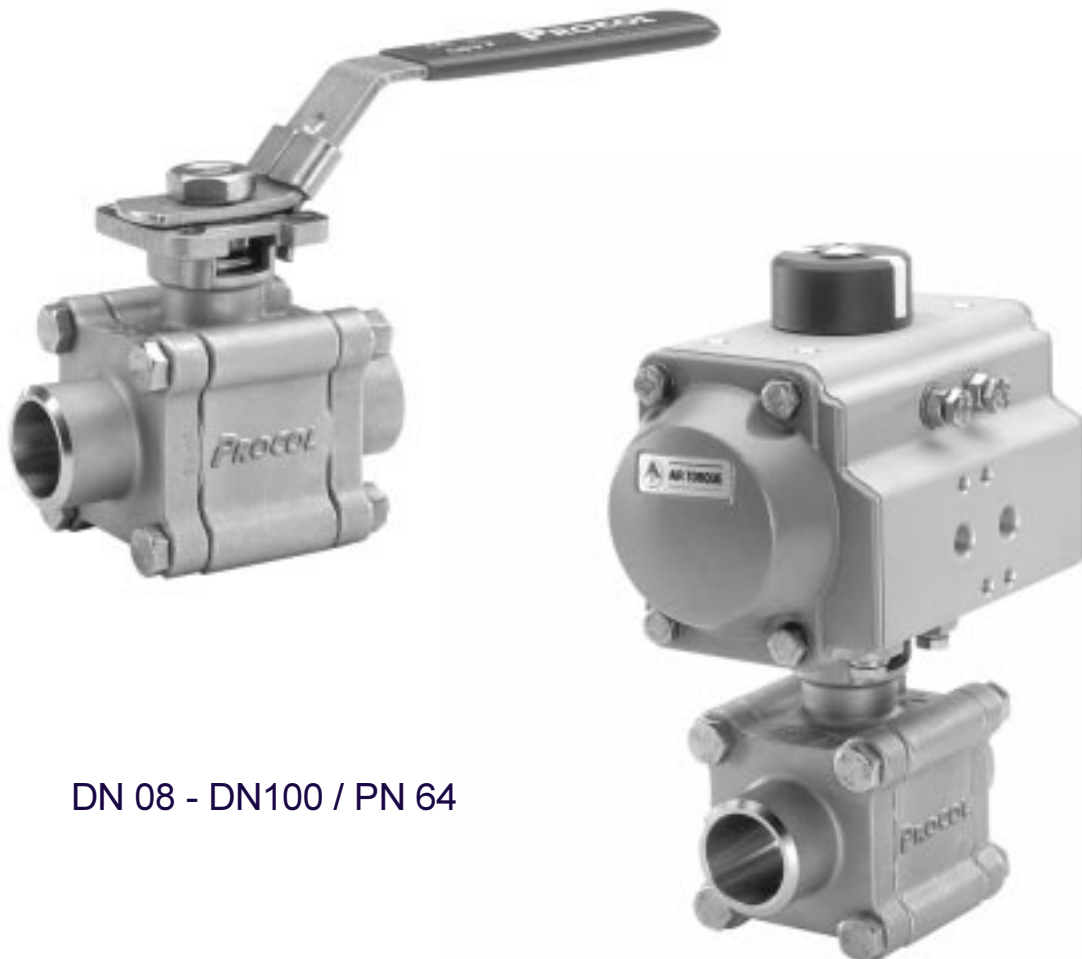


## 3-PIECE BALLVALVES SERIES 20D

Actuator direct mounting  
Full bore and reduced bore  
Stainless steel A351 CF8M     Carbon steel A216 WCB

**FIRESAFE certified acc. to BS 6755**  
In accordance with PED 97/23/EC  
CE 0036



DN 08 - DN100 / PN 64

**PROCOL ENGINEERING AG**

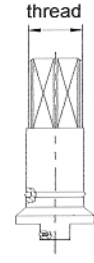
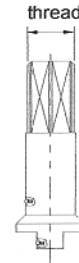
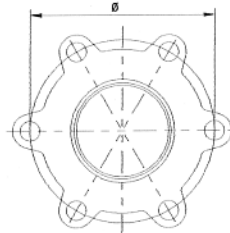
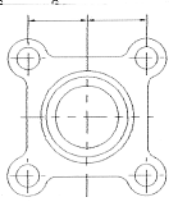
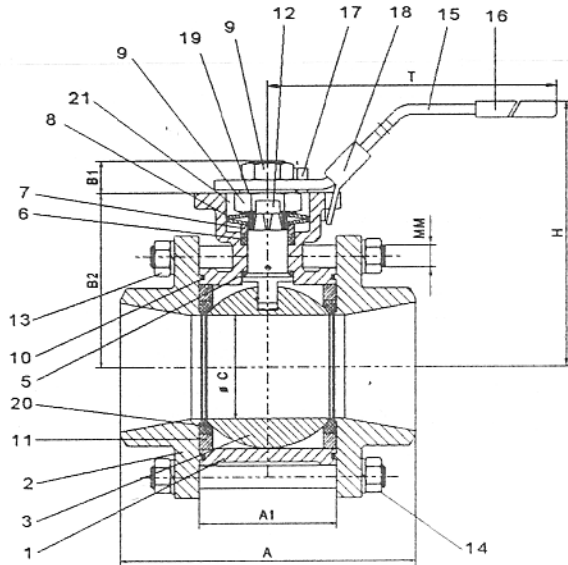
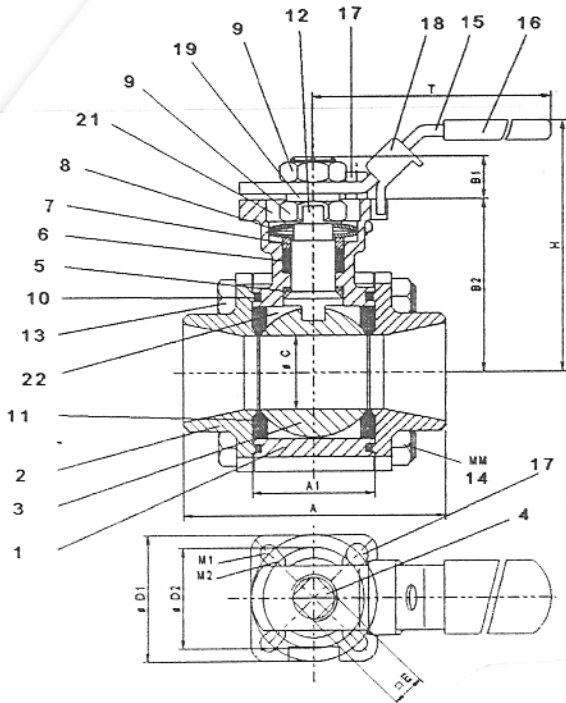
CH-8320 Fehraltorf

Tel. +41-1- 954 88 77

Fax +41-1- 954 88 78

[www.procol-ag.ch](http://www.procol-ag.ch)

# Typ A20D antistatisch / AF20D antistatisch firesafe



DN 08 - DN 40 full bore  
DN 20 - DN 50 red. bore  
encapsulated bolts

DN 50 - 100 full bore  
DN 65 - 100 red. bore

Stem with  
2 antistatic -  
devices  
(Standard)

Stem with  
1x antistatic and  
1 x Viton O-Ring  
(Option)

- 1 Body
- 2 End cap
- BW end
- 3 Ball
- 4 Stem
- 5 Stem seal
- 6 Stem packing
- V-Ring
- 7 Stem seal follower
- 8 Belleville washer
- 9 Stem nut
- 10 Body seal
- 11 Seat
- 12 Lock saddle
- 13/14 Bolt /Nut
- 15/16 Handle/Sleeve
- 17 Stop device
- 18 Locking device
- 19 Spacer ring
- 20 Retaining ring
- 21 Detective window
- 22 Body cavity fillers opt.
- \* firesafe execution

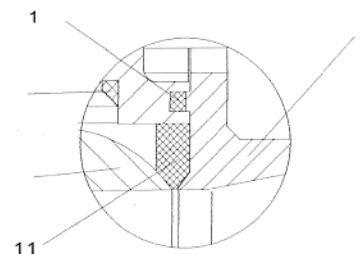
## Stainless steel

- A351 CF8M
- A351 CF8M
- A351 CF3M
- 316
- 316
- 316
- PTFE
- CPTFE/  
Graphite\*
- 304
- 301
- 304
- RPTFE/Graphite\*
- CPTFE
- 304
- 304
- 304/Vinyl
- 304
- 304
- 304
- 304

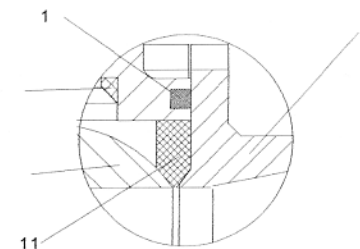
## Carbon steel

- A216 WCB
- A216 WCB
- A216 WCB
- 316
- 316
- 316
- PTFE
- CPTFE/  
Graphite\*
- 304
- 301
- 304
- RPTFE/Graphite\*
- CPTFE
- 304
- 304
- 304/Vinyl
- 304
- 304
- 304
- 304
- PTFE

## AF20D antistatic firesafe



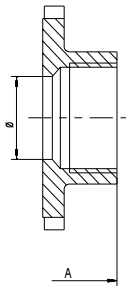
## A20D antistatic



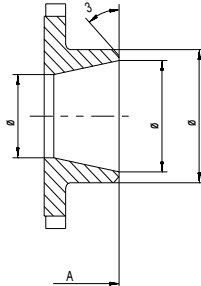
## Reduced bore

DN	A SW BSPP NPT	A BW	A1	B1	B2	ØC	E- thread	H	T	ØF	G	MM	ISO Top	ØP	ØP1 DIN	ØP1 ISO
20 -3/4"	72.5	75.0	24.5	6.4	42.6	15	9- 7/16UNF	76.6	139	-	16.1	M 6	F03/04	27.2	21.0	23.7
25 -1"	85.4	90.0	31.4	8.6	46.8	20	9- 7/16UNF	81.7	139	-	22.1	M 8	F03/04	34.0	26.6	29.7
32 -11/4"	105.3	110.0	41.3	10.4	59.3	25	11- 9/16UNF	98.3	165	-	25.1	M 8	F04/05	42.7	35.1	38.4
40 -11/2"	111.0	115.0	48.4	10.4	62.6	32	11- 9/16UNF	101.6	165	-	28.6	M10	F04/05	48.6	41.0	44.3
50 -2"	127.3	130.0	56.3	13.4	79.0	38	14- M18x2.5	128.0	215	-	33.3	M10	F05/07	60.5	52.5	56.3
65 -21/2"	142.8	142.8	71.4	13.4	87.7	50	14- M18x2.5	137.0	215	114	-	M12	F05/07	76.3	69.7	71.5
80 -3"	185.0	185.0	86.6	16.8	108.7	65	17- M24x3.0	167.5	262	139	-	M14	F07/10	88.9	81.2	84.3
100 -4"	205.0	205.0	99.0	17.8	117.7	80	17- M24x3.0	176.5	262	160	-	M16	F07/10	114.3	106.3	109.1

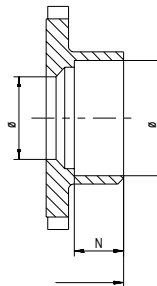
Screwed ends  
BSPP, NPT



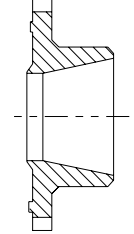
BW end



Socket weld end



Firesafe-  
Execution

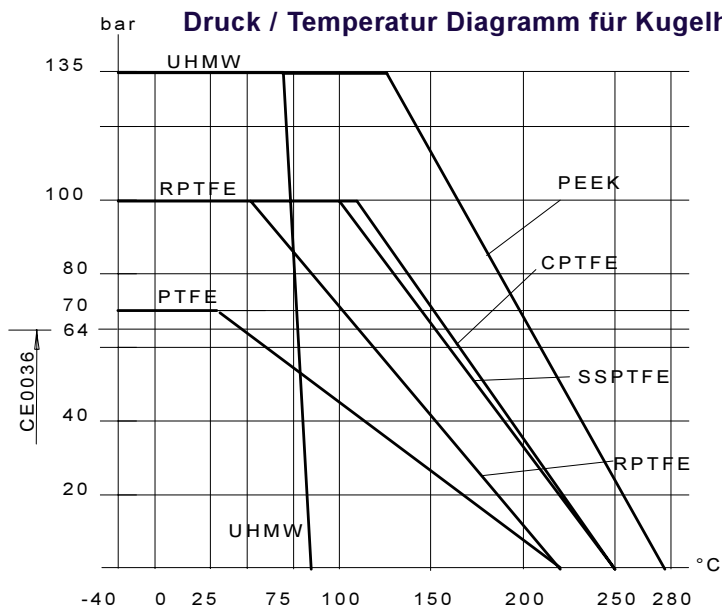


## Full bore

DN	A SW BSPP NPT	A BW	A1	B1	B2	ØC	E- thread	H	T	ØF	G	MM	ISO Top	ØP	ØP1 DIN	ØP1 ISO
8 -1/4"	75.0	75.0	24.5	6.4	42.6	9.3	9- 7/16UNF	76.6	139	-	16.1	M 6	F03/04	13.7	9.3	10.3
10 -3/8"	75.0	75.0	24.5	6.4	42.6	12.6	9- 7/16UNF	76.6	139	-	16.1	M 6	F03/04	17.5	12.6	14.0
15 -1/2"	72.5	75.0	24.5	6.4	42.6	15	9- 7/16UNF	76.6	139	-	16.1	M 6	F03/04	21.7	15.8	18.1
20 -3/4"	85.4	90.0	31.4	8.6	46.8	20	9- 7/16UNF	81.7	139	-	22.1	M 8	F03/04	27.2	21.0	23.7
25 -1"	105.3	110.0	41.3	10.4	59.3	25	11- 9/16UNF	98.3	165	-	25.1	M 8	F04/05	34.0	26.6	29.7
32 -11/4"	111.0	115.0	48.4	10.4	62.6	32	11- 9/16UNF	101.6	165	-	28.6	M10	F04/05	42.7	35.1	38.4
40 -11/2"	127.3	129.6	56.3	13.4	79.0	38	14- M18x2.5	128.0	215	-	33.3	M10	F05/07	48.6	41.0	44.3
50 -2"	142.8	142.8	71.4	13.4	87.7	50	14- M18x2.5	137.0	215	114	-	M12	F05/07	60.5	52.5	56.3
65 -21/2"	185.0	185.0	86.6	16.8	108.7	65	17- M24x3.0	167.5	262	139	-	M14	F07/10	76.3	69.7	71.5
80 -3"	205.0	205.0	99.0	17.8	117.7	80	17- M24x3.0	176.5	262	160	-	M16	F07/10	88.9	81.2	84.3
100 -4"	240.0	240.0	127.0	16.8	133.7	100	17- M24x3.0	192.5	312	190	-	M16	F07/10	114.3	106.3	109.1

## Weight (kg)

	DN 8	DN10	DN15	DN20	DN25	DN32	DN40	DN50	DN65	DN80	DN100
Full bore	0.9	0.9	1.1	1.6	2.3	3	4.4	5.6	11	14.4	24.6
Reduced bore	-	-	-	1.1	1.9	2.6	3.5	4.8	6.1	11.9	15.2



Code	Material Sitzringe
T	PTFE PTFE rein
R	RPTFE PTFE glasfaserverstärkt
C	CPTFE PTFE/Kohle 25%
S	SSPTFE PTFE/Metallpulver 50%
P	PEEK
U	UHMW Polyethylen Ultra high molecular

Code	Material Gehäusedichtung
R	RPTFE PTFE glasfaserverstärkt
G	Graphit

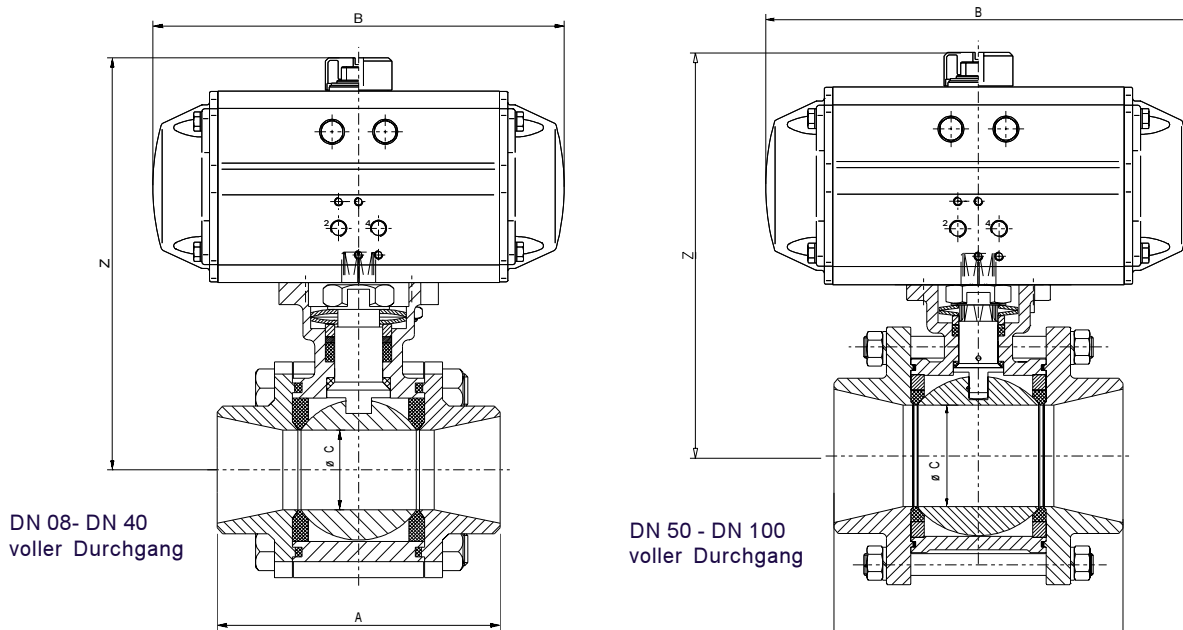
Code	Material Stopfbuchspackung
C	CPTFE PTFE/Kohle 25%
G	Graphit

**Kv-Werte (m³/h) für vollen Durchgang ( Durchflussmenge Wasser in m³/h bei Druckabfall von 1 bar )**  
**Losbrechmomente L<sub>b</sub> (Nm) für schmierende Medien**

DN	8	10	15	20	25	32	40	50	65	80	100
Kv (m³/h)	8	8	11	28	50	71	96	205	275	500	800
Lb red. Durchg. (Nm)	-	-	-	10	11	18	30	37	55	61	90
Lb voller Durchg. (Nm)	8	8	10	11	18	30	37	55	61	90	106

**Serie A20D mit pneumatischem Drehantrieb Air Torque**

(Antriebsauslegung: Speisedruck 6bar, Schmierendes Medium, max. Druckdifferenz 10 bar)



DN (voller Durchg.)	8	10	15	20	25	32	40	50	65	80	100
A (BW)	75	75	75	90	110	115	129.6	142.8	185	205	240
B (einfach / doppelt wirkend)	141	141	141	159/141	211/159	211/159	248/211	269/211	269/211	315/248	315/248
Z (einfach / doppelt wirkend)	132/132	132/132	132/132	152/136	182/165	185/168	214/201	235/210	256/231	293/253	309/269
Antrieb Air Torque einfach wirkend	AT050 S12	AT050 S12	AT050 S12	AT100 S12	AT200 S12	AT200 S12	AT250 S12	AT300 S12	AT300 S12	AT350 S12	AT350 S12
Antrieb Air Torque doppelt wirkend	AT050D	AT050D	AT050D	AT050D	AT100D	AT100D	AT200D	AT200D	AT200D	AT250D	AT250D