

P5 Pneumatic Positioner



The foundation of the PMV Valve Control System is the PMV P5 pneumatic positioner. Performance of this unit has been enhanced with the special high gain/high capacity spool valve assembly providing very quick and accurate actuator/valve response. For single or double acting application, this new modular design allows for the simple addition of I/P converters and/or a feedback unit with a variety of feedback options.

Other features include:

Gauge ports, stainless steel cam with a simple cam locking device, tapped exhaust port for venting of supply media, external zero adjustment, and completely sealed cover.



Sturdy, simple, reliable design.

High gain pilot valve.

Bright visible indicator.

Stainless steel cam.

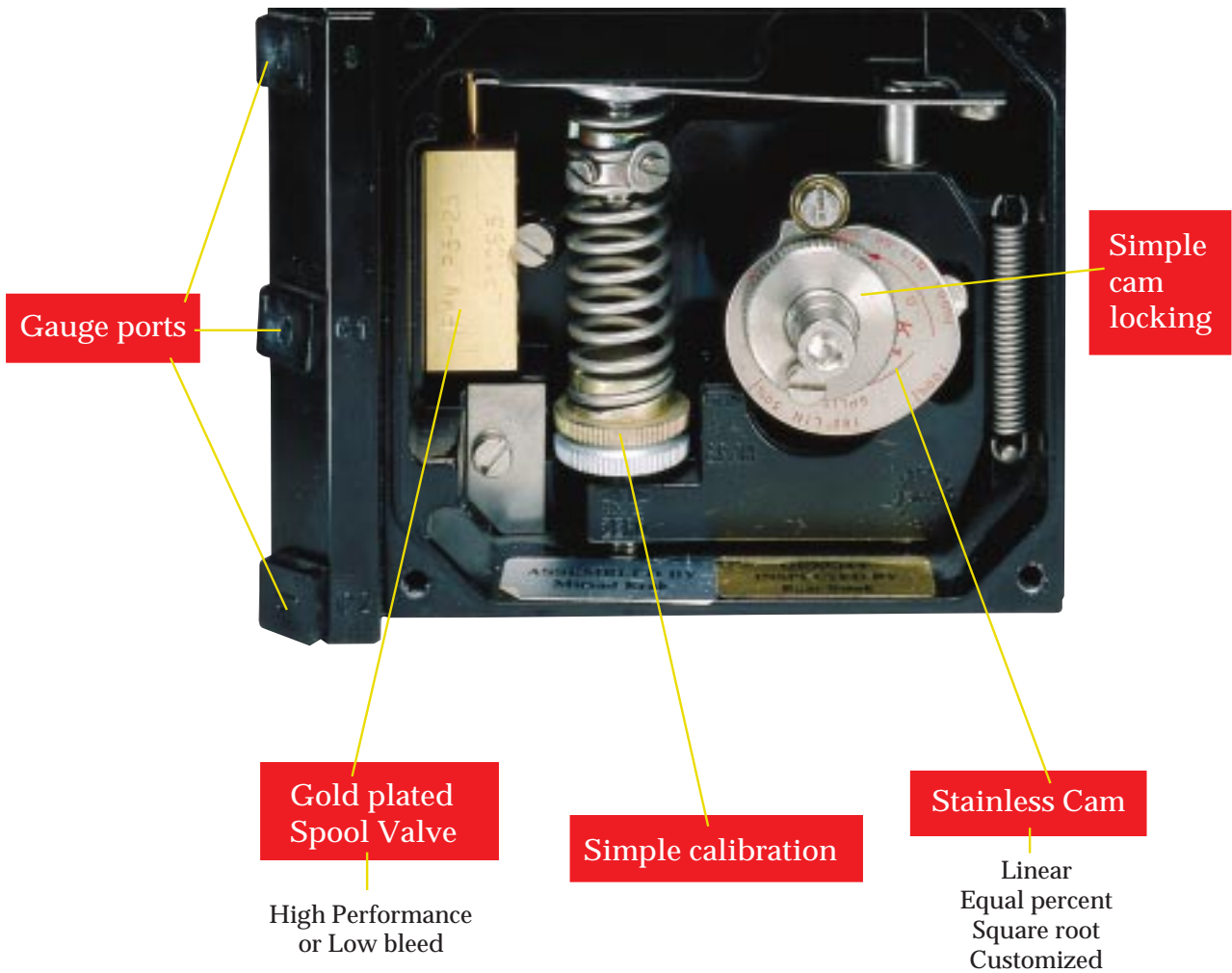
Tapped exhaust port.

Easy to add on I/P converter and Feedback Unit, F5.

Simple calibration, external zero adjustment.

Built in gauge ports.

Simple



Modular

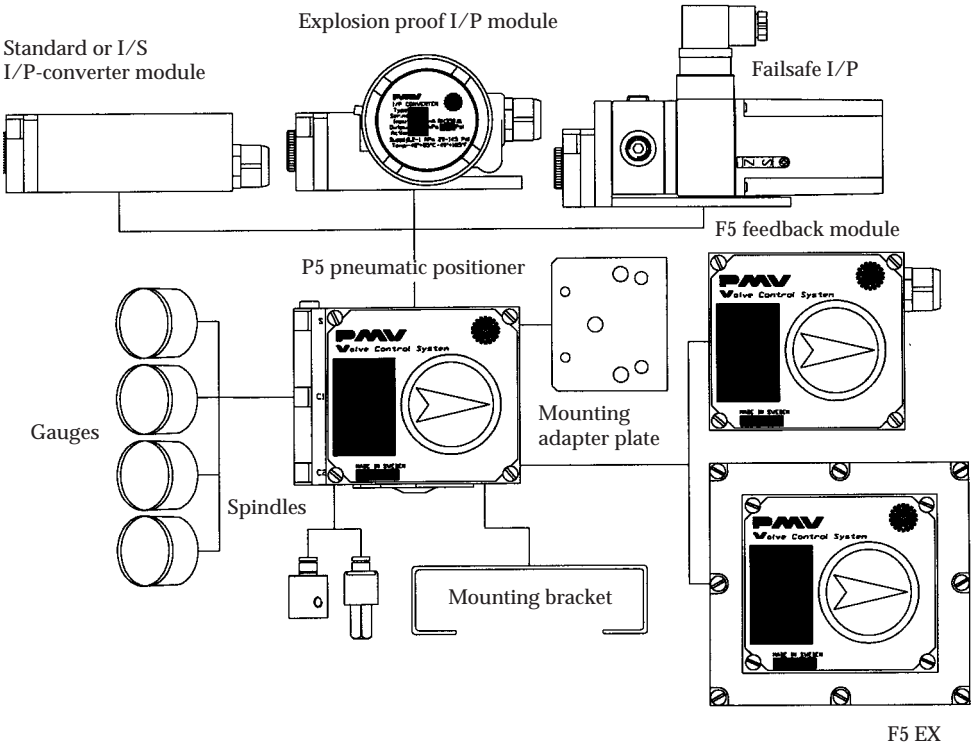


Simple to add on:

Feedback Unit

Dome Style Indicator

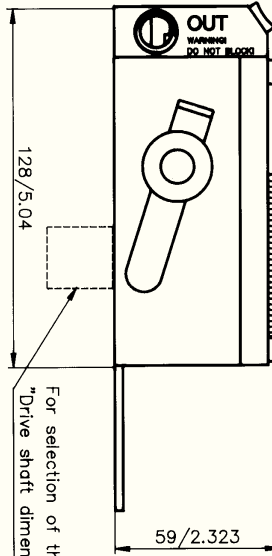
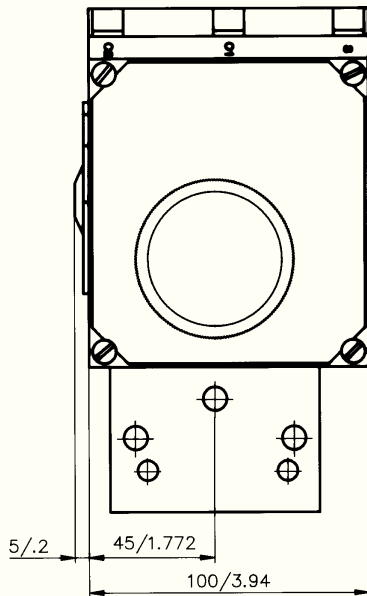
I/P Converter



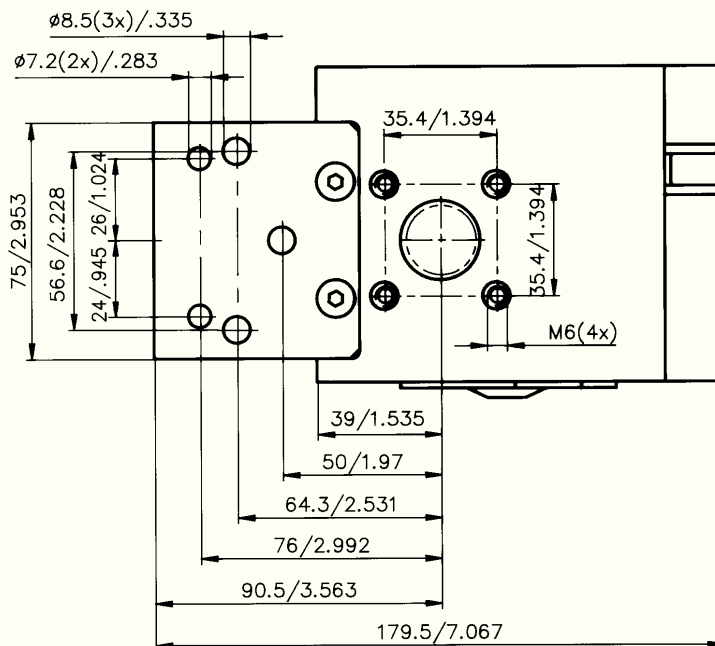
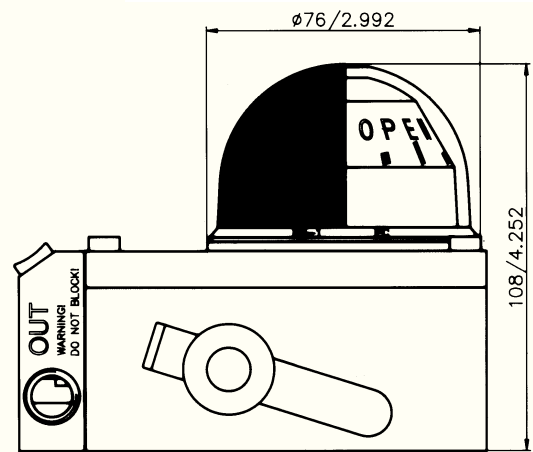
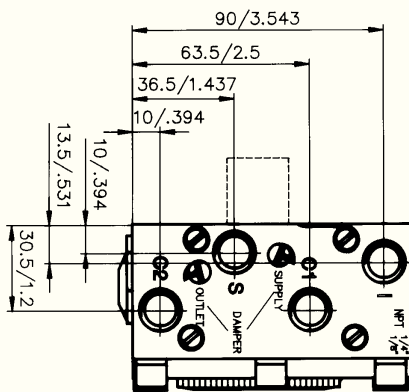
Technical Specifications

Input signal	20-100kPa/3-15 Psi (6-30 Psi option)	
Linearity	≤0,5%*	
Hysteresis	≤0,5%*	
Repeatability	≤0,5%*	
Gain factor at: 600 KPa/87 Psi	Min. 1000 kPa/kPa Min. 66%/ % ISA S75.13-1989	Low Bleed Version Min: 450 KPa/KPa Min: 30 %/ %
Max. air consumption at supply pressure:		
0,2 MPa/29 Psi	5,4 nl/min (0,19 SCFM)	2,7 nl/min (0,1 SCFM)
0,4 MPa/58 Psi	12,3 nl/min (0,43 SCFM)	6,1 nl/min (0,21 SCFM)
0,6 MPa/87 Psi	20 nl/min (0,71 SCFM)	9.9 nl/min (0,35 SCFM)
0,8 MPa/116 Psi	27,8 nl/min (0,98 SCFM)	13,7 nl/min (0,48 SCFM)
1 MPa/145 Psi	35,7 nl/min (1,26 SCFM)	17,5 nl/min (0,62 SCFM)
Min. air delivery at supply pressure:		
0,2 MPa/29 Psi	200 nl/min (6,9 SCFM)	156 nl/min (0,62 SCFM)
0,4 MPa/58 Psi	370 nl/min (12,8 SCFM)	288 nl/min (0,62 SCFM)
0,6 MPa/87 Psi	540 nl/min (18,8 SCFM)	421 nl/min (0,62 SCFM)
0,8 MPa/116 Psi	710 nl/min (24,7 SCFM)	553 nl/min (0,62 SCFM)
1 MPa/145 Psi	880 nl/min (30,6 SCFM)	686 nl/min (0,62 SCFM)
Supply pressure	Max 1 MPa/150 Psi	
Temperature range	-20°C to +85°C/(-4°F to 185°F)	
Connector threads	1/4" NPT or G (BSP)	
Gauge threads	1/8" NPT or G (BSP)	
Weight	1,1 kg/2,4 lbs	
Housing	Die cast Aluminum	
Surface treatment	ED Epoxy paint, black	
Fasteners	A2/A4 Stainless	
Ingress protection	IP66 /NEMA 4	

Dimensional Drawing



For selection of the feedback-spindle please see "Drive shaft dimension drawing" PMV P/N 12184.



How to order

1. Model	PP5XX	P5 Double acting pneumatic
2. Spool valve	HP or LB	High performance or Low bleed
3. Air connection	N or G	NPT 1/4" or G 1/4"
4. Surface treatment	U	Epoxy coating
5. Spindle	01, 23 etc	01 to 35. See dwg SPNDLSP_5
6. Cam	K01	K01 to K17, K01 = linear 90 deg, standard
7. Front cover*	PV9DA	90 deg, Direct, arrow indicator
8. Input signal/temp	3N 6Q	3-15 psi input, Nitrile seals -20 °C 6-30 psi input, Silicon seals -40 °C

* For 30, 45 and 60 deg rotation, change PV9 to PV 3, PV4 or PV6.

Example: PP5XXHPNU-23K01-PV9DA-3N
 1 2 3 4 5 6 7 8



Palmstiernas Instrument AB
Tulegatan 15
SE-113 53 Stockholm
SWEDEN
Tel: +46 (0) 8 555 106 00
Fax: +46 (0) 8 555 106 01
E-mail: info@pmvpositioners.com
Internet: www.pmvpositioners.com



SUBSIDIARIES:

PMV Controls Ltd
Headlands Business Park
Ringwood
Hampshire BH24 3PB
ENGLAND
Tel: +44 (0) 1425 48 08 88
Fax: +44 (0) 1425 48 08 89
E-mail: sales@pmv-controls.ltd.uk

PMV GmbH
Postfach 2310
D-41554 Kaarst
GERMANY
Tel: +49 (0) 2131 667 081/82
Fax: +49 (0) 2131 667 083
E-mail: hs.pmv@ambos.co.at

PMV-USA, Inc
1440 Lake Front Circle
Unit 160
The Woodlands, Texas 77380
USA
Tel: +1 281 292 7500
Fax: +1 281 292 7760
E-mail: pmvusa@pmvusa.com
Internet: www.pmvusa.com

Palmstiernas Svenska AB
Box 21
SE-663 21 Skoghall
SWEDEN
Tel: +46 (0) 54 52 14 70
Fax: +46 (0) 54 52 14 42
E-mail: info@palmstiernas.se
Internet: www.palmstiernas.se

22529/99.7/Ekvator



Total Chlorine
Free Paper

(The information in this brochure is subject to change without notice.)