

P-2000 Electropneumatic positioner



Description

The PMV P-2000 series positioner is one of the sturdiest, reliable electropneumatic positioners on the market.

Controlling air delivery with the PMV standard spool valve assembly and receiving the 4-20mA control signal through our voice coil magnet unit assembly, this positioner offers a wide range of features and benefits.

P-2000 has an internal gain adjustment, as with other PMV models, the easy to reach span and zero adjustment makes this model very simple to calibrate. This unit is also available for intrinsically safe applications and is approved by CENELEC (PTB), CSA, and UL



PMV Electropneumatic positioner model P-2000.

Features and benefits

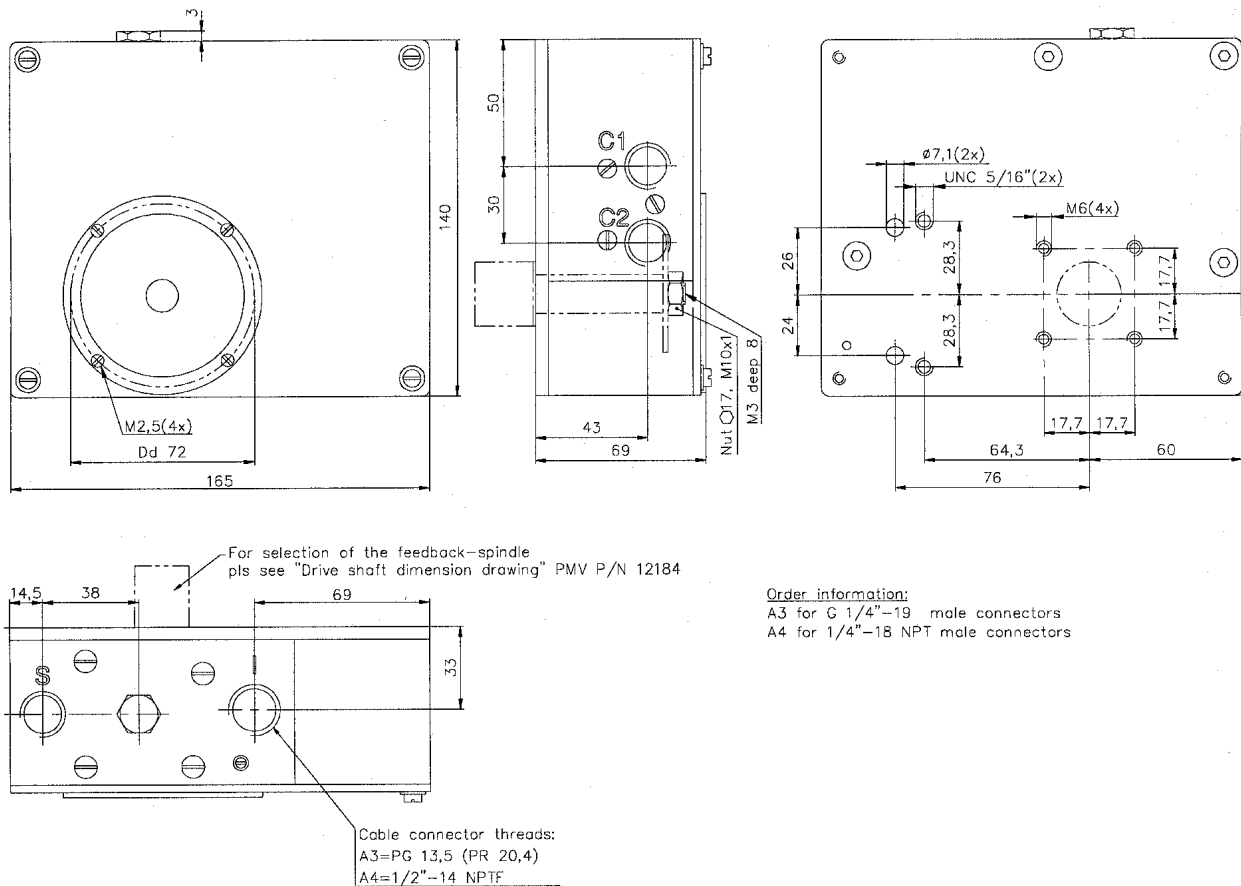
- Rugged design for harsh industrial environments.
- Simple, easy to calibrate.
- Low air consumption.
- High air delivery capacity.
- Internal gain adjustment.
- Bright, visible indicator.
- Mounting kits for a variety of actuators-rotary and linear.
- Split range cam standard.
- Can reverse action simply and quickly.
- Positive internal pressure helps keep the unit clean and dry.
- Variety of spindles and characterized cams.
- Easy to add on position feedback.

Technical Specifications:

Input signal	0-20 / 4-20 mA
Air supply	2-8 bar (30-120 Psi) Oil free, dry air filtered to 25 micron
Air Connections	1/4" G or NPT
Electrical connection	PG 13,5 or 1/2" NPT
Terminals	4 mm ² (AWG 11) screw terminals
Linearity %*	± 0.5
Repeatability %*	0.5
Hysteresis + deadband %*	1
Gain factor	Adjustable 3 to 26 %/% ISA 75. 13-1989
Air delivery capacity	Adjustable 50-400 kPa/kPa at 20% load
Air consumption	340 nl/min (12 SCFM) at 0.6 Mpa/87 Psi
	10 nl/min (0,35 SCFM) at 0.6 Mpa/87 Psi
Supply pressure effect	0.75%/100 kPa (15 Psi)
Position sensitivity	0.25% of span
EMC	89/336/EEC & 92/31/EEC
Internal resistance	Max 240 Ω
Temp range	-15 to 85°C (5 to 185°F)
Materials, surface treatment	Aluminium anodized, stainless steel
Fasteners	Zincified steel
Ingress protection	IP54/NEMA 3R
Weight	2.7 kg/lbs 5.4

*% of full scale

Dimensional Drawing



Ordering Information

1. Model	P2000 or P2020	Standard or High air delivery capacity
2. Air connections	N or G	NPT 1/4" or G 1/4"
3. Surface treatment	E	Anodised
4. Spindle	01, 23 etc	C1 to C34. See dwg SPNDLSP_2000
5. Cam	F01, F20 etc	F01 to F51, F01 = linear 90 deg, standard
6. Front cover	PV9DA	90 deg, Direct, arrow indicator
7. Temperature/gain	ZN	Nitrile seals -15 deg °C/Normal gain springs

Example: P2000NE-23F01-PV9DA-ZN
 1 2 3 4 5 6 7

SUBSIDIARIES:



Palmstiernas Instrument AB
 Tulegatan 15
 SE-113 53 Stockholm
 SWEDEN
 Tel: +46 (0) 8 555 106 00
 Fax: +46 (0) 8 555 106 01
 E-mail: info@pmvpositioners.com
 Internet: www.pmvpositioners.com



PMV Controls Ltd
 Headlands Business Park
 Ringwood
 Hampshire BH24 3PB
 ENGLAND
 Tel: +44 (0) 1425 48 08 88
 Fax: +44 (0) 1425 48 08 89
 E-mail: sales@pmv-controls.ltd.uk

PMV-USA, Inc
 1440 Lake Front Circle
 Unit 160
 The Woodlands, Texas 77380
 USA
 Tel: +1 281 292 7500
 Fax: +1 281 292 7760
 E-mail: pmvusa@pmvusa.com
 Internet: www.pmvusa.com

PMV GmbH
 Postfach 2310
 D-41554 Kaarst
 GERMANY
 Tel: +49 2131 667 081/82
 Fax: +49 2131 667 083
 E-mail: hs.pmv@ambos.co.at

Palmstiernas Svenska AB
 Box 21
 S-663 21 Skoghall
 SWEDEN
 Tel: +46 (0) 54 52 14 70
 Fax: +46 (0) 54 52 14 42
 E-mail: info@palmstiernas.se
 Internet: www.palmstiernas.se



Total Chlorine
 Free Paper