

**FEATURES:**

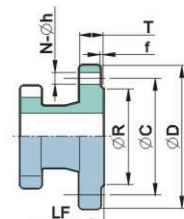
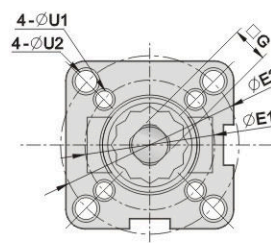
- Fire Safe Design and Construction
- Built-in ISO 5211 Mounting Pad Automation
- Anti-Static Devices for Ball-Stem-Body
- Blow-out Proof Stem
- Pressure Balance Hole In Ball Slot
- Pre-Load 2 Belleville Washers to Self-adjust Packing
- **TA-LUFT** Design Approved
- Casting Approved by TÜV AD 2000 Merkblatt W0
- Options: 1. Actuator 2. Limit Switch 3. Positioner

**STANDARDS:**

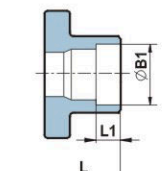
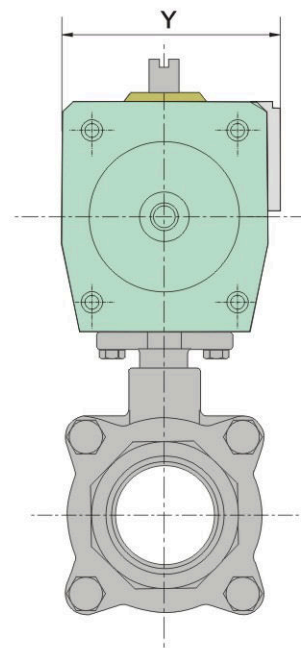
- Design: ASME B16.34, API 608  
2000 WOG for 1/4" ~1"  
1500 WOG for 1-1/4" ~2"
- Fire Safe: API 607 5<sup>th</sup> 2005, ISO 10497
- Wall Thickness: ASME B16.34 CLASS 800
- Pipe Thread **KV-L80**: ASME B1.20.1, BS21  
DIN2999/259, ISO228/1  
JIS B0203, ISO 7/1
- Butt Weld **KV-L81**: ASME B16.25 (φ B2 Sch 40)  
φ B2 Available in Sch 80
- Socket Weld **KV-L82**: ASME B16.11
- Flanged End **KV-L8F**: ASME B16.5 CLASS 600  
DIN 2501 PN100  
JIS B2238 40K
- Inspection & Testing: API 598, EN 12266

NO.	PART NAME	MATERIALS		
1	Body	CF8M	CF8	WCB
2	Cap(Thread)	CF8M	CF8	WCB
	Cap(Welding)	CF3M		
3	Ball	CF8M	CF8	
4	Ball Seat	TFM1600+15%Carbon		
5	Stem	SUS 316	SUS 304	
6	Anti-Static	SUS 316	SUS 304	
7	Thrust Washer	TFM1600+15%Carbon		
8	O-Ring	FKM(VITON)		
9	Stem Packing	PTFE/GRAFOIL*		
10	Bushing	50%SS+50%PTFE/SUS 304*		
11	Gland	SUS 304		
12	Belleville Washer	SUS 301		
13	Stem Nut	A194-8		
14	Stop-lock-Cap	SUS 304		
15	Bolt	A193-B8		
16	Bolt Washer	SUS 304		
17	Bolt Nut	A194-8		
18	Body Gasket	PTFE/GRAFOIL*		
19	Bolt	A193-B8		
20	Actuator	Pneumatic KP / Electric KQ		

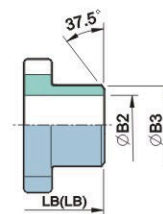
\*Materials for FIRE-SAFE Models



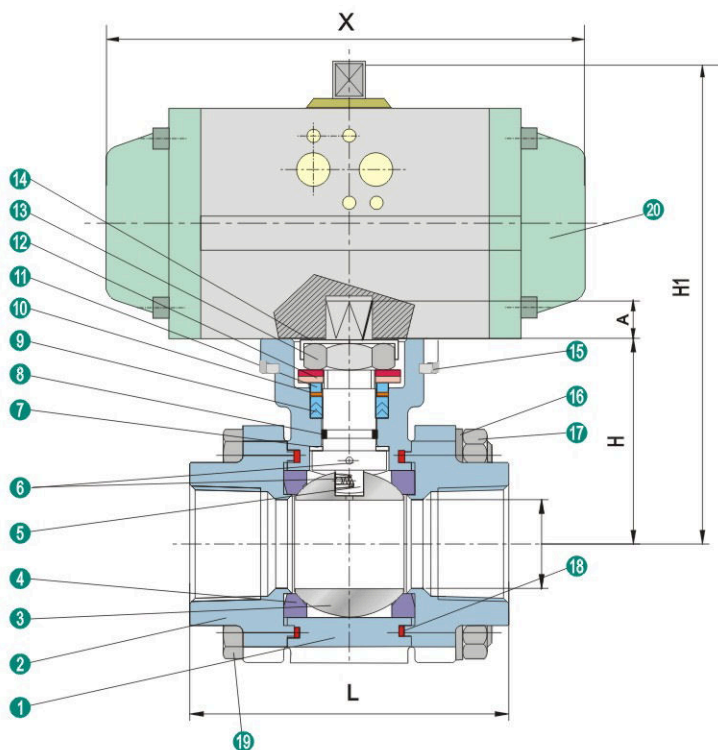
FLANGED END  
PN10-40 F1



SOCKET WELD END



LB (Butt-welding End)  
LE (Extended Butt-welding End)



SIZE	φd	L	LB	LE	LF	H	H1	φE1	φE2	G	φU1	φU2	A	φD	φC	φR	T	f	N	φh	L1	φB1	φB2	φB3	X	Y	P-Actuator	E-Actuator	Pressure
1/4"	10.6	75	70	165	—	43.0	169	36	42	9	6	6	7	—	—	—	—	—	—	—	10	14.0	7.6	18	144	72	KP50	KQ006	80PSI
3/8"	12.7	75	70	165	—	43.0	169	36	42	9	6	6	7	—	—	—	—	—	—	—	10	18.0	10.7	18	144	72	KP50	KQ006	80PSI
1/2"	15.0	75	75	165	130	43.0	169	36	42	9	6	6	7	95	65	45	16	2	4	14	10	22.0	13.9	22	144	72	KP50	KQ006	80PSI
3/4"	20.0	80	90	190	150	43.0	177	36	50	9	6	7	9	105	75	58	18	2	4	14	13	27.5	18.8	28	144	72	KP50	KQ006	80PSI
1"	25.0	90	100	216	160	50.0	200	42	50	11	6	7	11	115	85	68	18	2	4	14	13	34.5	24.3	34	164	84	KP63	KQ006	80PSI
1-1/4"	32.0	110	110	229	180	58.0	215	42	70	11	6	9	11	140	100	78	18	2	4	18	16	43.0	32.5	43	164	84	KP63	KQ006	80PSI
1-1/2"	38.0	120	125	241	200	63.0	234	50	70	14	7	9	14	150	110	88	18	3	4	18	16	48.6	38.1	50	208	96	KP75	KQ008	80PSI
2"	50.0	140	150	292	230	74.5	241	50	70	14	7	9	14	165	125	102	20	3	4	18	17	61.2	49.2	61	208	96	KP75	KQ008	80PSI

Unit: mm