

Compact electric actuator for 90° operation of small 1/4 turn Valves or Dampers requiring up to 68Nm Torque. (HVAC typical application.)

Features

- Input via flange mounted electric motor with ball bearing shaft location.
- All units are provided with terminal strips inside the housing, allowing for ease of electrical field wiring.
- The unique handwheel/manual override design has no levers or latches to switch to the manual or automatic mode. Simply turn the handwheel to the desired valve position.
- All gears run in ball bearings and are permanently lubricated at the factory.
- An indication window is provided to show valve position at all times.
- Hard wired modules to control actuator speed or position are available.
- Permanent capacitor, split phase, reversible electric motor driving epicyclic compound gears.
- Readily adaptable to valves with quarter turn operation.
- ESPC* coated anodised aluminium enclosure.
- O-ring sealing.
- Direct mounting to Keystone butterfly valves, F778 mounting in accordance with ISO 5211.
- Adjustment of end of travel limit and indication switches is made simple by using top adjusting cams. (4-off SPDT as standard). Up to 8-off available per unit - 6-off on Electronic units.
- Thermal overload motor protection (set at 130°C).
- Single phase supply voltages are available as standard.
- Mechanical travel stops, adjustable to 15° in each direction of 90° operations.
- Explosionproof enclosure available as an option.

* Electro Static Powder Coating.

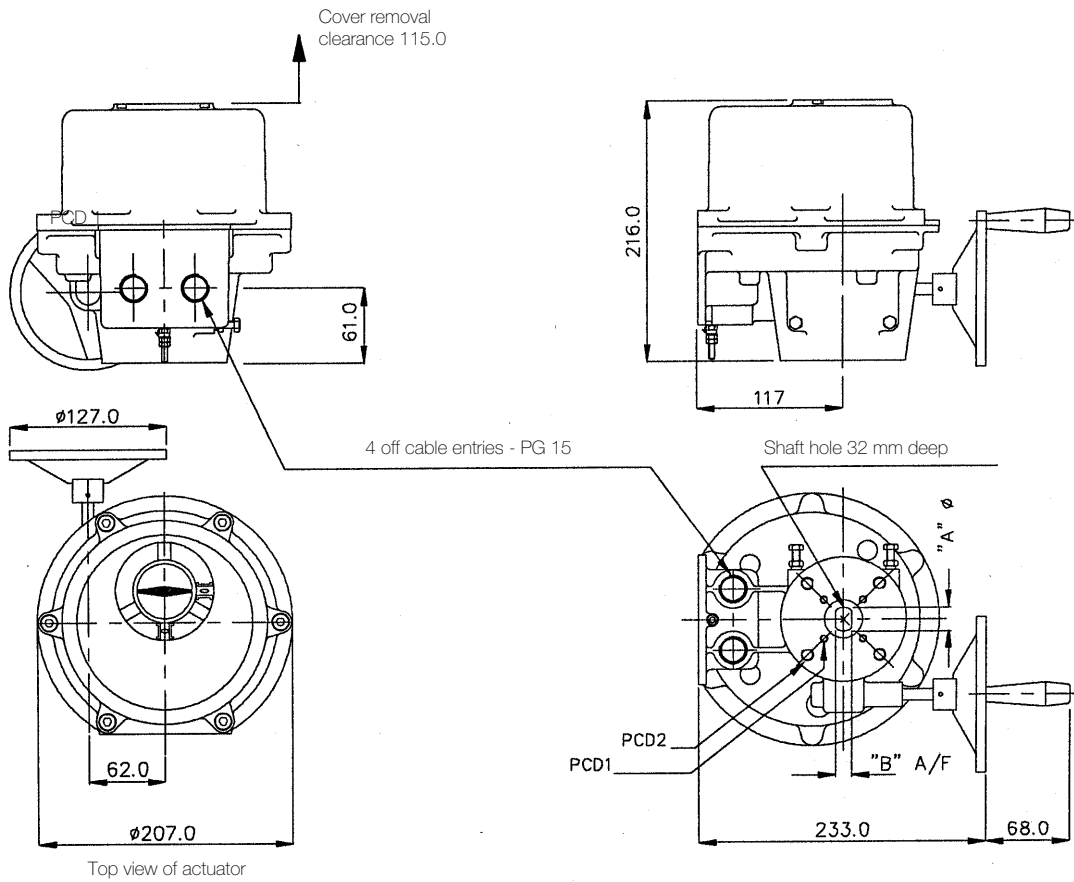


Technical Data

Motor	: Single phase - permanent capacitor, split phase reversible
Rating	: Continuous
Voltages	: 110V or 230V 1ph 50/60 Hz
Insulation	: Windings Class F Leads Class B
Output torque	: up to 68 Nm
Temperature	: -25°C to +65°C
Speedrange	: 20 seconds (10 seconds optional)

Electratorc 6 electric actuator Figure 777/778

Dimensions



Model	PCD1 (hole size)	PCD(1)	PCD2 (hole size)	PCD(2)	A	B
777-006	M6	44.45	M10	82.55	19.05	12.70
778-006 (F05)	M6	50.00	-	-	12	8
778-006 (F07)	-	-	M8	70.00	16	11

Technical Data

Materials of Construction	cover & body	die cast aluminium LM24 (hard anodised & ESPC coated)
	switchplate	die cast aluminium LM24 (anodised)
Operating Specification	cams	acetal
	gears	steel
	position indicator	A.B.S.(acrylanitrile butadene styrene)
	temp. range	-25°C to + 65°C
	output torque	600 lbs-ins (68Nm).
	cycle time for 90°	20 seconds (10 seconds optional)
	voltages	110/230v 50/60Hz - 1 Phase (others on request)
	current	400 μ A @ 110V
	current	200 μ A @ 230V
	capacitor	6 mf @ 110V
Weight	capacitor	1.5 mf @ 230V
	motorwindings	class F
	rating	S4 100% at up to 40°C will de-rate to S4 80% at 65°C

Limit Switches

Type V9
Rating 10A at 240V a.c.
Function 2-N.C. for limit & 2-N.O. for indication or auxiliary.

Environmental protection

IP68 (2 metres for 48 hours).

Optional extras

- Servo amplifier and speed control module.
- Speed control module.
- Current loop retransmission module.
- Anti condensation heater.
- Feed back potentiometer(s).
- Explosionproof enclosure.