

Ball valve with weld ends of stainless steel PN 40, PN 25



Application

The ball valve is a tightly closing stop valve suitable for liquid and gas pipe systems. It is used, for example, in industrial piping

Nominal pressure 40 bar DN 15 ... 50
 25 bar DN 65 ... 150

Operating temperature max +220 °C
 min -40 °C

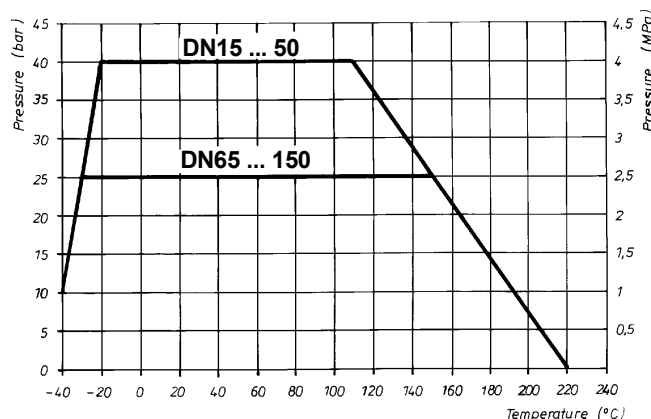
Maximum closing pressure difference depends on the working temperature

Design

These valves have weld ends, reduced bore and ball seals of PTFE

Nominal sizes DN 15 ... 150

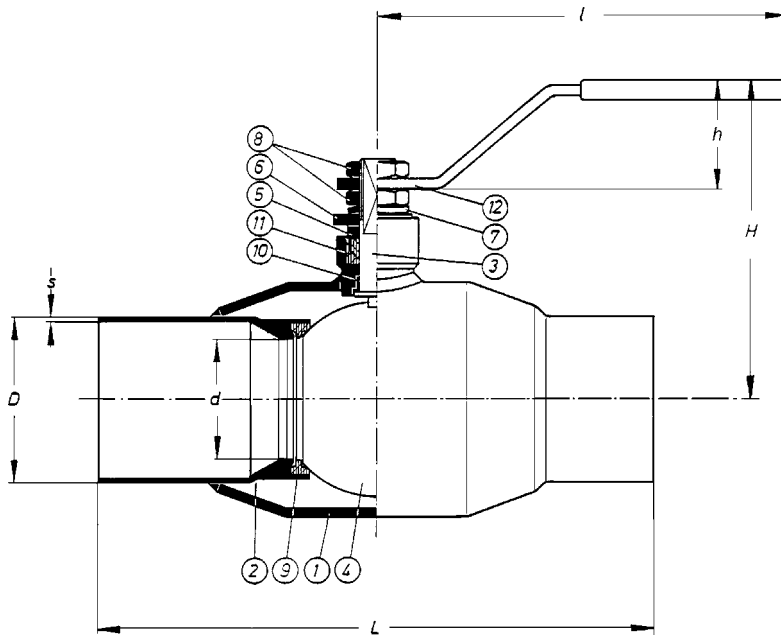
Conform with the requirements of the Council Directive 97/23/EC on Pressure Equipment, marking: **CE**₀₄₃₄



Code number

440TS _ _ _ with manual lever
440TS _ _ _ Z with bare shaft
440TS _ _ _ M with gear

Ball valve with weld ends



Parts

1. Body	SIS 2343
2. Connecting pipe	SIS 2343
3. Stem	W:no4401
4. Ball	SIS 2343
5. Spacer ring	
6. Retaining plate	
7. Spring	
8. Hexagonal nut	
9. Ball seal	PTFE+C
10. Bearing	PTFE+C
11. Stem seal	PTFE
12. Lever	

Dimensions

DN	PN	K _{v100}	d	D	s	L	H	h	l	Weight kg
15	40	8	10	21,3	1,6	230	73	30	110	0,4
20	40	13	15	26,9	1,6	230	73	30	110	0,5
25	40	25	20	33,7	2,0	230	95	36	140	0,8
32	40	41	24	42,4	2,0	260	98	36	140	1,0
40	40	65	31	48,3	2,0	260	122	47	180	1,5
50	40	100	39	60,3	2,0	300	128	47	180	1,8
65	25	180	50	76,1	2,0	300	150	50	250	3,6
80	25	270	65	88,9	2,6	300	162	50	250	6,0
100	25	420	80	114,3	3,0	325	183	55	320	10,6
125	25	650	100	139,7	2,6	325	198	55	320	13,8
150	25	950	125	168,3	3,4	350	240	56	600	25,0

Ball valve with threaded ends of stainless steel PN 40, PN 25



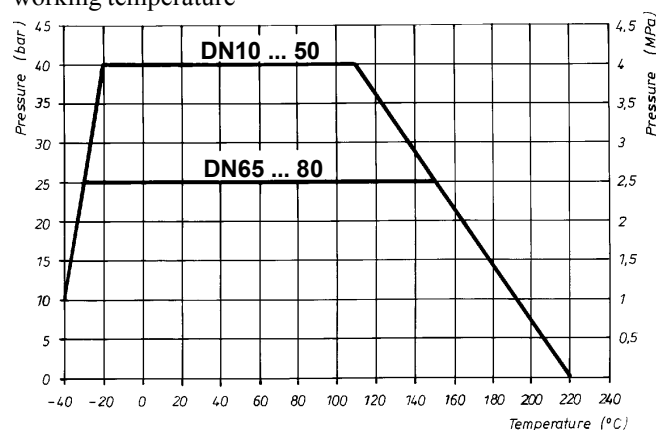
Application

This is a ball closing valve with perfect sealing, suitable for liquid and gas pipe systems, including industrial piping.

Nominal pressure 40 bar DN 10 ... 50
25 bar DN 65 ... 80

Operating temperature max +220 °C
min -40 °C

Maximum closing pressure difference depends on the working temperature



Design

The ball valve is furnished with threaded sockets, reduced bore and ball seals of PTFE

Nominal sizes DN 10 ... 80

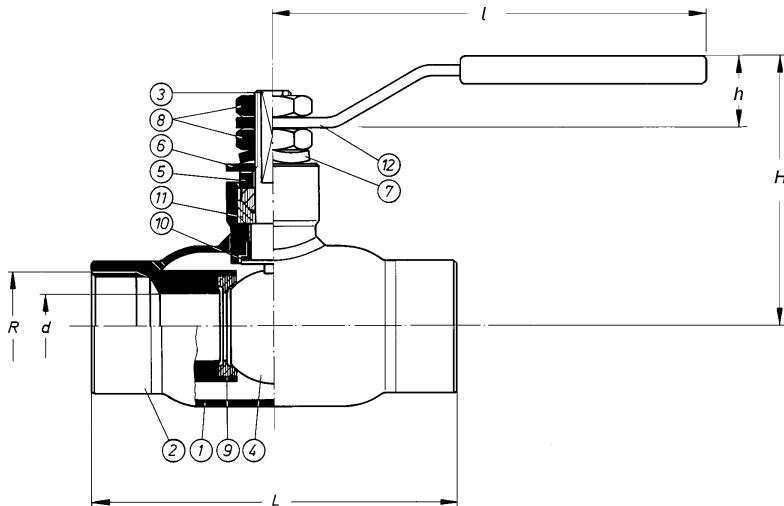
Conform with the requirements of the Council Directive 97/23/EC on Pressure Equipment, marking: **CE**₀₄₃₄

Code number

443TS_ _ _
443TS_ _ _Z

with manual lever
with bare shaft

Ball valve with threaded sockets



Parts

1. Body	SIS 2343
2. Threaded end	SIS 2343
3. Stem	W:no 4401
4. Ball	SIS 2343
5. Spacer ring	
6. Retaining plate	
7. Spring	
8. Hexagonal nut	
9. Ball seal	PTFE+C
10. Bearing	PTFE+C
11. Stem seal	PTFE
12. Lever	

Dimensions

DN	R	PN	K _{v100}	d	L	H	h	l	Weight kg
10	G 3/8	40	7	10	75	73	30	110	0,4
15	G 1/2	40	8	10	85	73	30	110	0,4
20	G 3/4	40	13	15	100	73	30	110	0,5
25	G 1	40	25	20	110	95	36	140	0,9
32	G 1 1/4	40	41	24	130	98	36	140	1,1
40	G 1 1/2	40	65	31	140	122	47	180	1,8
50	G 2	40	100	39	170	128	47	180	2,9
65	G 2 1/2	25	180	50	200	150	50	250	5,0
80	G 3	25	270	65	230	162	50	250	7,2