

FLANGE BALLVALVES SERIES AF90

DN 15 - DN 100 PN 16/40 A 351 CF8M / A216 WCB

DIN 3202 F1/F4 FULL PORT

FIRESAFE certified acc. BS 6755



DN 15 - DN 50



Reg.Nr. 12119

DN 65 - DN 100



PROCOL ENGINEERING AG, Switzerland

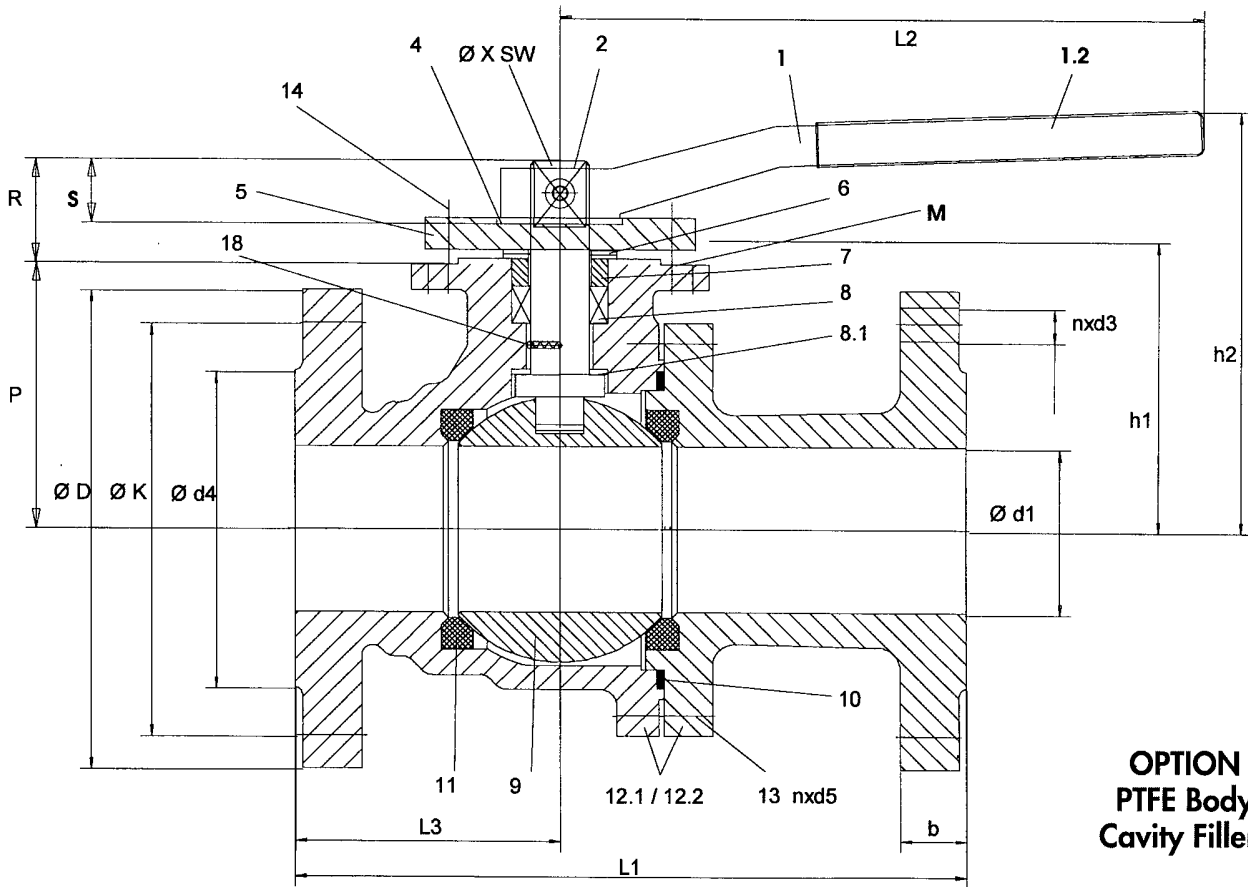
UK Distributor: CEEVEE LTD
Stonehouse Glos. GL10 2BJ

Tel: 01453 821666

Fax: 01453 822298

CeeVee

DN 15 – DN 100 PN 16/40



**OPTION
PTFE Body
Cavity Fillers**

A351 CF8M

A 90 Anti-static

- 1. Handle CF8M
- 1.1 Adapter, Lever CF8M/Cr-Steel
- 1.2 PVC-Sleeve
- 2. Stem 316
- 4. Stop plate 304
- 5. Gland Flange CF8M
- 6. Belleville Washer 301
- 7. Stem Seal Follower 316
- 8. PTFE Packing
- 8.1 PTFE Washer
- 9. Ball 316
- 10. PTFE Body Seal
- 11. Virgin PTFE Seat
- 12.1 Body CF8M
- 12.2 Flange CF8M
- 13. Bolts A2-70 DIN 933
- 14. Bolts A4-70 DIN 912
- 17. Anti-static device (DN 65 – DN 100)
- 18. Anti-static device

A351 CF8M

AF 90 Anti-static, firesafe

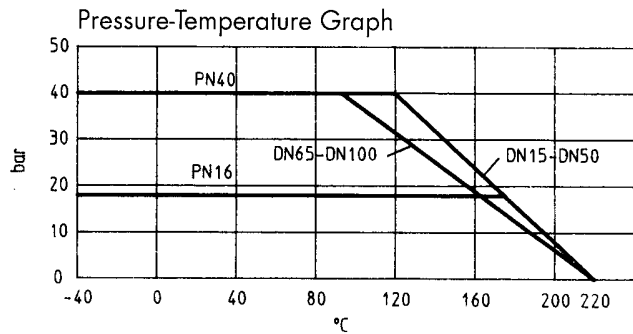
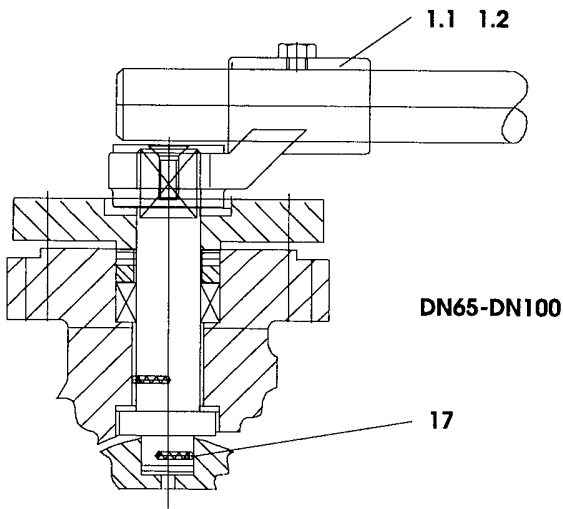
- 1. Handle CF8M
- 1.1 Adapter, Lever CF8M/Cr-Steel
- 1.2 PVC-Sleeve
- 2. Stem 316
- 4. Stop plate 304
- 5. Gland Flange CF8M
- 6. Belleville Washer 301
- 7. Stem Seal Follower 316
- 8. Graphite Packing
- 8.1 PTFE Washer
- 9. Ball 316
- 10. Body Seal Graphite
- 11. Virgin PTFE Seat
- 12.1 Body CF8M
- 12.2 Flange CF8M
- 13. Bolts A2-70 DIN 933
- 14. Bolts A4-70 DIN 912
- 17. Anti-static device (DN 65 – DN 100)
- 18. Anti-static device

A216 WCB

AF 90 Anti-static, firesafe

- 1. Handle CF8M
- 1.1 Adapter, Lever CF8M/Cr-Steel
- 1.2 PVC-Sleeve
- 2. Stem 316
- 4. Stop plate 304
- 5. Gland Flange CF8M
- 6. Belleville Washer 301
- 7. Stem Seal Follower 316
- 8. Graphite Packing
- 8.1 PTFE Washer
- 9. Ball 316
- 10. Body Seal Graphite
- 11. Virgin PTFE Seat
- 12.1 Body A216 WCB
- 12.2 Flange A216 WCB
- 13. Bolts A2-70 DIN 933
- 14. Bolts A4-70 DIN 912
- 17. Anti-static device (DN 65 – DN 100)
- 18. Anti-static device

ISO-Mounting Pad



PN 16

DN	d1	D	b	d4	h1	h2	K	F1		L2	L3	M	nxd3	nxd5	P	R	S	ØxAF	wght. (kg)
								L1	L1										
15	15	95	14	45	54	89	65	130	115	160	47,5	F04	4x14	4xM8	40	26	13	13,5x9	2.9
20	20	105	16	58	54	89	75	150	120	160	51	F04	4x14	4xM8	44	26	13	13,5x9	3.6
25	25	115	16	68	68	103	85	160	125	160	51	F04	4x14	4xM10	56	26	14	13,5x9	4.8
32	32	140	16	78	81	126	100	180	130	190	53	F05	4x18	4xM12	69	33	18	17x11	7.0
40	38	150	16	88	87	126	110	200	140	190	56	F05	4x18	4xM12	74	33	18	17x11	8.3
50	50	165	18	102	95	130	125	230	150	230	62	F07	4x18	4xM12	83	36	18	20x12,7	12.2
65	65	185	18	122	100	165	145	290	170	350	88	F07	4x18	6xM12	98	42	22	22x14	19.3
80	80	200	20	138	110	175	160	310	180	350	100	F07	8x18	8xM12	109	42	22	22x14	25.3
100	100	220	20	158	130	210	180	350	190	450	116	F10	8x18	8xM16	136	52	24	30x20	36.7

PN 40

DN	d1	D	b	d4	h1	h2	K	F1		L2	L3	M	nxd3	nxd5	P	R	S	ØxAF	wght. (kg)
								L1	L1										
15	15	95	16	45	54	89	65	130	115	160	47,5	F04	4x14	4xM8	40	26	13	13,5x9	2.9
20	20	105	18	58	54	89	75	150	120	160	51	F04	4x14	4xM8	44	26	13	13,5x9	3.6
25	25	115	18	68	68	103	85	160	125	160	51	F04	4x14	4xM10	56	26	14	13,5x9	4.8
32	32	140	18	78	81	126	100	180	130	190	53	F05	4x18	4xM12	69	33	18	17x11	7.0
40	38	150	18	88	87	126	110	200	140	190	56	F05	4x18	4xM12	74	33	18	17x11	8.3
50	50	165	20	102	95	130	125	230	150	230	62	F07	4x18	4xM12	83	36	18	20x12,7	12.2
65	65	185	22	122	100	165	145	290	170	350	88	F07	8x18	6xM12	98	42	22	22x14	20.5
80	80	200	24	138	110	175	160	310	180	350	100	F07	8x18	8xM12	109	42	22	22x14	26.4
100	100	235	24	162	130	210	190	350	190	450	116	F10	8x22	8xM16	136	52	24	30x20	40.1

Break Torques	DN	15	20	25	32	40	50	65	80	100
		Nm	15	18	28	38	60	70	110	160

CeeVee