

Millcentric Multiport Plug Valves

Fig 604

Pressure Rating

PN16

Maximum cwp 16 bar

Class 125

Maximum cwp 175 lbf/in²

Hydrostatic Test

Shell: 350 lbf/in²

Seat: 220 lbf/in²

Velocity Limit

Non-abrasive: 5m/s (15ft/s)

Abrasive (on/off service): 3m/s (10ft/s)

Specification

Valves up to and including 200mm are supplied with a 50mm square drive for use with optional removable levers.

Gear or actuator operation is available

Epoxy seat

Elastomer faced plug

Flanged to ANSI B16.1 Class 125.

Also available drilled to BS4504 PN16

Elastomers Available:

Standard

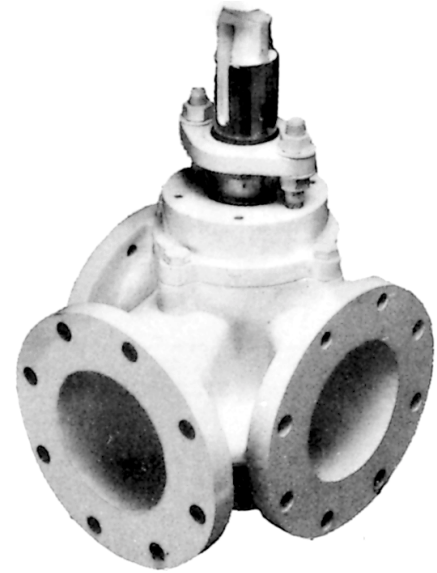
Neoprene

Optional

Nitrile

Viton

EPDM



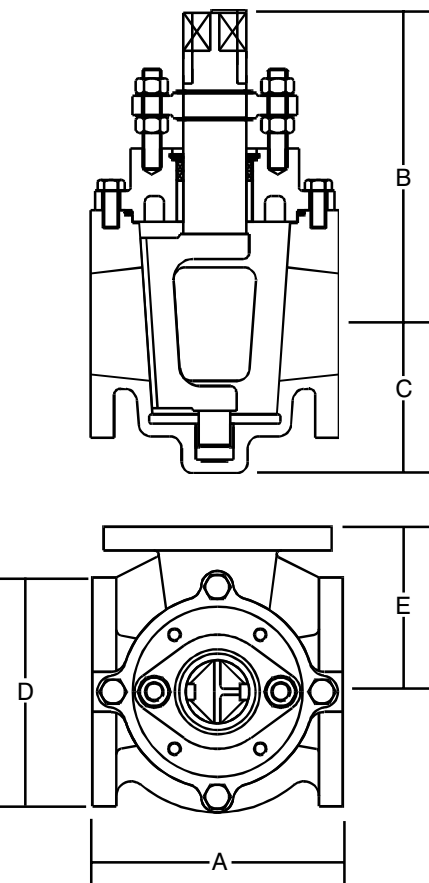
Materials Specification

Component	Material	BS	Specification		
			ASTM	DIN	
Collar	Cast Iron	1452 Gr 220	A126 CI B	1691 GG22	
U-cup Seal	Nitrile				
Bonnet	Cast Iron	1452 Gr 220	A126 CIB	1691 GG22	
"O" Ring	Nitrile				
Bearing	Stainless Steel (Permanently Lubricated)				
Plug	SG Iron	2789 Gr 500/7	A536		
Plug Elastomer	Neoprene				
Body	Cast Iron	1452 Gr 220	A126 CI B	1691 GG22	

Dimensions

Nominal Size	mm	80	100	150	200	250	300	350	400
	in	3	4	6	8	10	12	14	16
A	mm	203	251	295	352	425	483	533	578
	in	8	9 ⁷ / ₈	11 ⁵ / ₈	13 ⁷ / ₈	16 ³ / ₄	19	21	22 ³ / ₄
B	mm	230	346	384	485	485	539	552	568
	in	9 ¹ / ₈	13 ⁵ / ₈	15 ¹ / ₈	19 ¹ / ₈	19 ¹ / ₈	21 ¹ / ₄	21 ³ / ₄	22 ³ / ₈
C	mm	120	150	181	279	279	327	362	375
	in	4 ³ / ₄	6	7 ¹ / ₈	11	11	12 ⁷ / ₈	14 ¹ / ₄	14 ³ / ₄
D	mm	191	229	279	343	406	483	533	597
	in	7 ¹ / ₂	9	11	13 ¹ / ₂	16	19	21	23 ¹ / ₂
E	mm	140	165	203	229	279	295	318	384
	in	5 ¹ / ₂	6 ¹ / ₂	8	9	11	11 ⁵ / ₈	12 ¹ / ₂	15 ¹ / ₈
H* (gear operated)	mm	384	486	518	622	622	673		
	in	15 ¹ / ₈	19 ¹ / ₈	20 ³ / ₈	24 ¹ / ₂	24 ¹ / ₂	26 ¹ / ₈		
Weight (Bare Shaft)	kg	30	55	77	147	173	220		

* Centre line of valve to top of gear operator handwheel



Hattersley Newman Hender Limited

Burscough Road, Ormskirk, Lancs, L39 2XG Tel: 01695 577199 Fax: 01695 578775