

Eccentric Plug Valve – DN350 and above

Pressure rating

PN16

Maximum cwp 16 bar

Hydrostatic test

Shell: 24 bar

Seat: 17.6 bar

Class 125

Maximum cwp 150lbf/in²

Hydrostatic test

Shell: 265 lbf/in²

Seat: 165 lbf/in²



Velocity limit

Non-abrasive: 10m/s (30ft/s)

Abrasive (on/off service): 5m/s (15ft/s)

Specification

Rectangular ports

Nickel welded seat

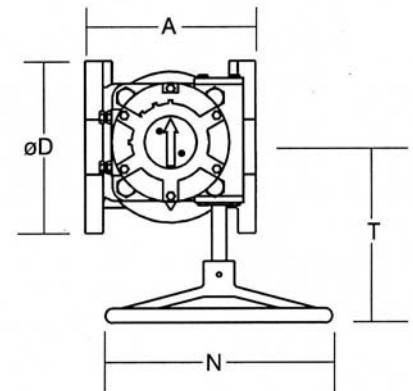
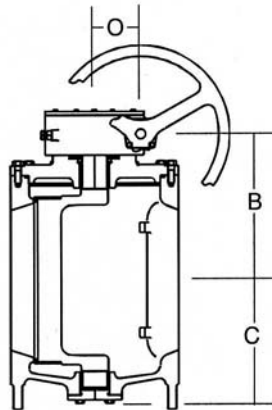
Flanged connections

Gear operated

Optional power actuation

Elastomer-faced plug

Fully rubber-lined valves available on request



Dimensions

Nominal size	MM	350	400	450	500	600	700	900	1000	1200	1400	1600	1800
	IN	14	16	18	20	24	30	36	42	48	54	66	72
A (PN16)	MM	432	451	546	597	1067	1295	1524	1829	2134	2438	Details on application	
(ANSI 125)	IN	17	17 ³ / ₄	21 ¹ / ₂	23 ¹ / ₂	42	51	60	72	84	96		
B	MM	432	406	432	521	584	705	838	960	960	960		
	IN	14 ³ / ₄	16	17	20 ¹ / ₂	23	27 ³ / ₄	33	37 ³ / ₄	37 ³ / ₄	37 ³ / ₄		
C	MM	330	356	381	400	549	629	737	737	914	914		
	IN	13	14	15	16	21 ⁵ / ₈	24 ³ / ₄	29	29	36	36		
D (PN16)	MM	520	591	635	699	813	984	1168	1346	1511	1683		
(ANSI 125)	IN	21	23 ¹ / ₂	25	27 ¹ / ₂	32	38 ³ / ₄	46	53	59 ¹ / ₂	66 ¹ / ₄		
N	MM	457	457	457	457	610	610	610	765	765	765		
	IN	18	18	18	18	24	24	24	30	30	30		
O	MM	118	117	117	117	152	238	238					
	IN	4 ⁵ / ₈	4 ⁵ / ₈	4 ⁵ / ₈	4 ⁵ / ₈	6	9 ³ / ₈	9 ³ / ₈					
T	MM	254	381	381	381	457	559	610					
	IN	10	15	15	15	18	22	24					
Weight (gear operated)	KG	303	470	615	855	1730	2360	3160	4620	6070	6870		