

Millcentric Eccentric Plug Valve - DN65 to DN350

Pressure Rating

PN16

Maximum cwp 16 bar

Hydrostatic Test

Shell: 24 bar

Seat: 17.6 bar

PN25

Maximum cwp 25 bar

Hydrostatic Test

Shell: 37.5

Seat: 27.5 bar

Class 125

Maximum cwp 175 lbf/in²

Hydrostatic Test

Shell: 350 lbf/in²

Seat: 220 lbf/in²

Class 250

Maximum cwp 400 lbf/in²

Hydrostatic Test

Shell: 600 lbf/in²

Seat: 440 lbf/in²

Velocity Limit

Non-abrasive: 10 m/s (30 ft/s)

Abrasive (on/off service): 5 m/s (15 ft/s)

Specification

Round ports

Nickel welded seat

Epoxy seat optionally available

Flanged connections

Elastomer coated plug

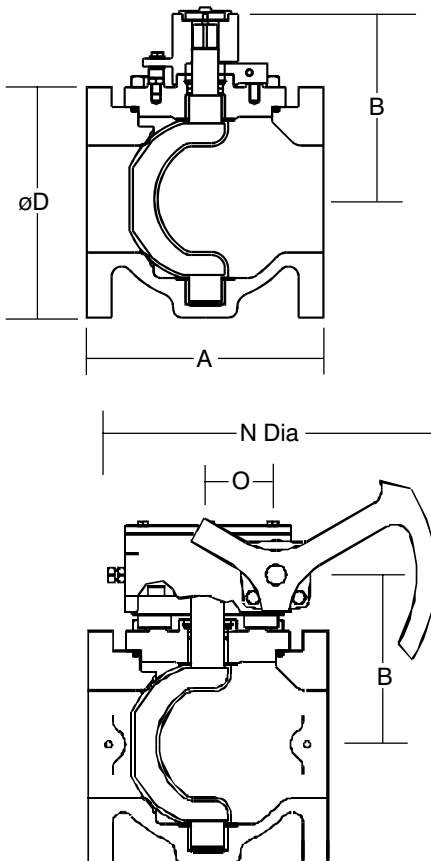
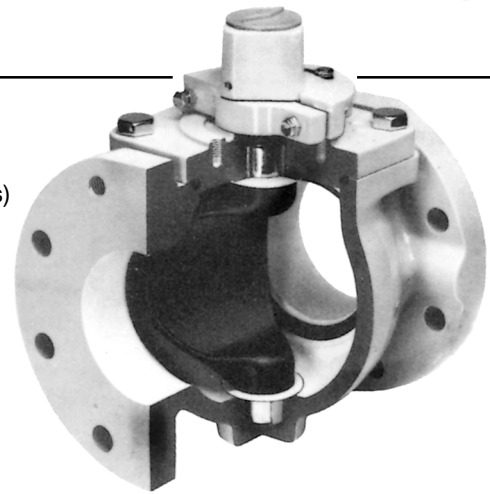
Valves up to and including DN200 are

supplied for wrench operation. Gear

operation optionally available

Optional power operation

Fully rubber lined valves available on request



Dimensions

Nominal Size	mm	65	80	100	125	150	200	250	300	350
	in	2½	3	4	5	6	8	10	12	14
A (PN16)	mm	191	203	229	254	267	292	330	356	356
(PN25)	mm	241	283	305	381	403	419	457	502	432
(Class 125)	in	7½	8	9	10	10½	11½	13	14	17
(Class 250)	in	9½	11⅛	12	15	15⅞	16½	18	19¾	18½
B (Wrench)	mm	159	159	184	213	213	273	289	330	330
	in	6¼	6¼	7¼	8⅜	8⅜	10¾	11⅜	13	13
B (Geared)	mm	-	-	162	194	194	241	292	333	333
	in	-	-	6⅜	7⅝	7⅝	9½	11½	13⅛	13⅛
D (PN16)	mm	178	191	229	254	279	343	406	483	533
(PN25)	mm	191	210	254	279	318	381	445	521	584
(Class 125)	in	7	7½	9	10	11	13½	16	19	21
(Class 250)	in	7½	8¼	10	11	12½	15	17½	20½	23
N	mm	-	-	152	305	305	305	305	305	305
	in	-	-	6	12	12	12	12	12	12
O	mm	67	67	67	67	67	67	118	118	118
	in	2⅝	2⅝	2⅝	2⅝	2⅝	2⅝	4⅝	4⅝	4⅝
*T	mm	241	241	241	241	241	286	295	295	295
	in	9½	9½	9½	9½	9½	11¼	11⅝	11⅝	11⅝
Weight (Class 125)										
(Wrench)	kg	13	18	30	37	43	86			
(Geared)	kg	29	34	46	53	59	102	152	196	240

* Centre of body to face of handwheel